

IR Camera

LG's IR camers are made carefully to give a differentiation in the IR market. With exceptional quality and stability, LG's IR camera will ensure surveillance even during nights or environments with absolutely no light.



LVR700N-DA(NTSC)/LVR700P-DA(PAL)



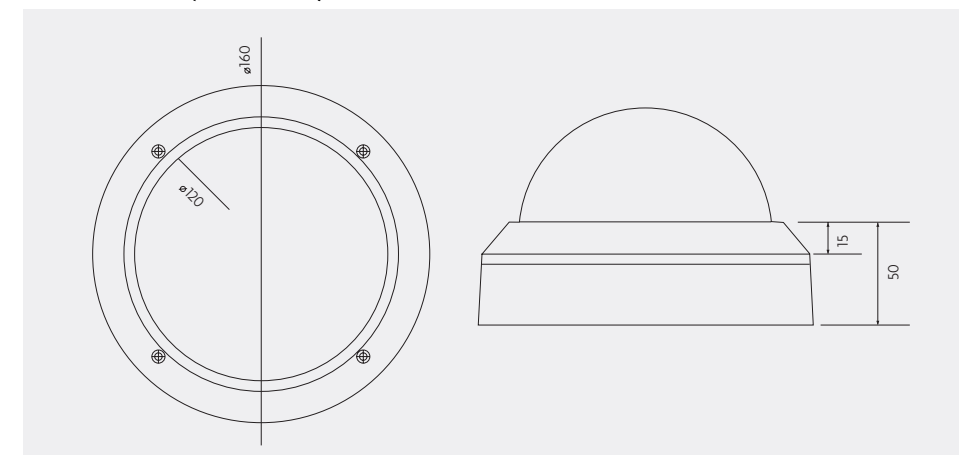
Specifications

| Model | LVR700N-DA | LVR700P-DA |
|---|---|------------------------|
| Signal System | NTSC | PAL |
| Total/Effective Pixels No | 410K / 380K | 470K / 440K |
| Pick-up Device | 1/3" Interline Transfer Color CCD | |
| Lens | Vari-focal Lens (f=2.8-12mm / F=1.2) | |
| Sync System | Internal | |
| Scanning Frequency | 15.734KHz, 59.94Hz(VD) | 15.625KHz, 50Hz(VD) |
| Horizontal Resolution | Color Mode : 540 TV Lines, B/W Mode : 570 TV Lines | |
| S/N Ratio | More than 48dB (AGC Off, F1.2) | |
| Video Output Signal | 1Vp-p Composite (75ohm) | |
| Minimum Illumination (Color, F1.2, 50IRE) | 0.1 Lux (AGC High, Color, F1.2, 50IRE), 0 Lux (IR LED ON) | |
| Iris Control | DC | |
| Gain Control | OFF/ON (0-255) | |
| Exposure | Fixed (FLK/MANUAL) | |
| Shutter Speed | 1/60 - 1/100,000 | 1/50 - 1/100,000 |
| White Balance | ATW/AW (FIXED/MANUAL) | |
| I/O Connector | BNC | |
| Power Source | DC 12V | |
| Power Consumption | 4.2W (IR LED ON) | |
| Operation Temperature | -10°C - 50°C, 0%RH-80%RH | |
| Storage Temperature | -20°C - 60°C, 0%RH-85%RH | |
| Weight | 770g | |
| Dimension | ø160 x 103 mm | |
| IR LED (Distance) | 28 pcs. (25m) | |

Features

- 1/3" Interline Transfer Color CCD
- Vari-focal 2.8-12mm DC IRIS Lens
- ICR Day & Night
- BLC
- IR LED 28pcs.
- IR LED Distance 25M
- 3-Axis
- Vandal Proof Cover
- DC 12V
- 4 Privacy Masking Area
- IP66

Dimensions (unit : mm)



LSR700N-EA(NTSC)/LSR700P-EA(PAL)



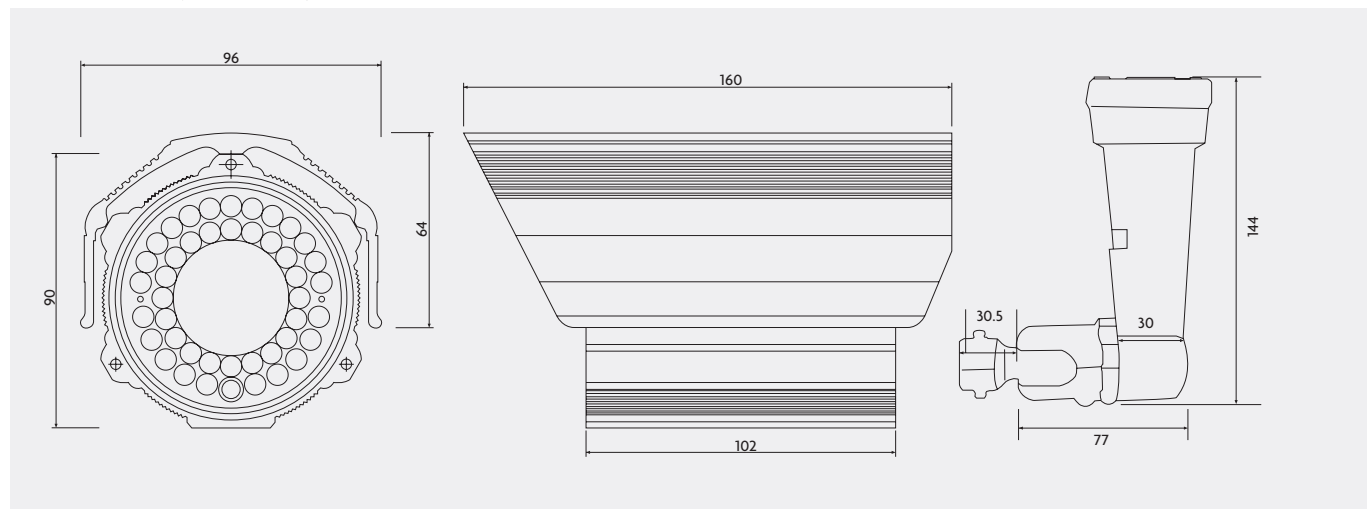
Specifications

| Model | LSR700N-EA | LSR700P-EA |
|---|--|------------------------|
| Signal System | NTSC | PAL |
| Total/Effective Pixels No | 410K / 380K | 470K / 440K |
| Pick-up Device | 1/3" Interline Transfer Color CCD | |
| Lens | Vari-focal Lens (f=6-50mm / F=1.4) | |
| Sync System | Internal | |
| Scanning Frequency | 15.734KHz, 59.94Hz(VD) | 15.625KHz, 50Hz(VD) |
| Horizontal Resolution | Color Mode : 540 TV Lines, B/W Mode : 570 TV Lines | |
| S/N Ratio | More than 48dB (AGC Off, F1.2) | |
| Video Output Signal | 1Vp-p Composite (75ohm) | |
| Minimum Illumination (Color, F1.2, 50IRE) | 0.1 Lux (AGC High, Color, F1.2, 50IRE), 0 Lux (IR LED ON) | |
| Iris Control | DC | |
| Gain Control | OFF/ON (0-255) | |
| Exposure | Fixed (FLK/MANUAL) | |
| Shutter Speed | 1/60 - 1/100,000 | 1/50 - 1/100,000 |
| White Balance | ATW (AW/FIXED/MANUAL) | |
| I/O Connector | BNC | |
| Power Source | DC 12V | |
| Power Consumption | 8.4W (IR LED ON) | |
| Operation Temperature | -10°C - 50°C, 0%RH-80%RH | |
| Storage Temperature | -20°C - 60°C, 0%RH-85%RH | |
| Weight | 1,450g | |
| Dimension | ø96 x 160 mm | |
| IR LED (Distance) | High Power 45 pcs. (70m) | |

Features

- 1/3" Interline Transfer Color CCD
- Vari-focal 6-50mm DC IRIS Lens
- ICR Day & Night
- BLC
- High Power IR LED 45pcs.
- IR LED Distance 70M
- DC 12V
- 4 Privacy Masking Area
- IP66

Dimensions (unit : mm)



LSR300N-DA(NTSC)/LSR300P-DA(PAL)



Specifications

| Model | LSR300N-DA | LSR300P-DA |
|---|--|------------------------|
| Signal System | NTSC | PAL |
| Total/Effective Pixels No | 410K / 380K | 470K / 440K |
| Pick-up Device | 1/3" Interline Transfer Color CCD | |
| Lens | Vari-focal Lens (f=2.8-12mm / F=1.2) | |
| Sync System | Internal | |
| Scanning Frequency | 15.734KHz, 59.94Hz(VD) | 15.625KHz, 50Hz(VD) |
| Horizontal Resolution | Color Mode : 540 TV Lines, B/W Mode : 570 TV Lines | |
| S/N Ratio | More than 48dB (AGC Off, F1.2) | |
| Video Output Signal | 1Vp-p Composite (75ohm) | |
| Minimum Illumination (Color, F1.2, 50IRE) | 0.1 Lux (AGC High, Color, F1.2, 50IRE), 0 Lux (IR LED ON) | |
| Iris Control | DC | |
| Gain Control | OFF/ON | |
| Exposure | Fixed (Auto) | |
| Shutter Speed | 1/60 - 1/100,000 | 1/50 - 1/100,000 |
| White Balance | ATW | |
| I/O Connector | BNC | |
| Power Source | DC 12V | |
| Power Consumption | 42.w (IR LED ON) | |
| Operation Temperature | -10°C - 50°C, 0%RH-80%RH | |
| Storage Temperature | -20°C - 60°C, 0%RH-85%RH | |
| Weight | 940g | |
| Dimension | ø74 x 151mm | |
| IR LED (Distance) | 34 pcs. (30m) | |

Features

- 1/3" Interline Transfer Color CCD
- Vari-focal 2.8-12mm DC IRIS Lens
- ICR Day & Night
- BLC
- IR LED 34pcs.
- IR LED Distance 30M
- DC 12V
- IP66

Dimensions (unit : mm)

